



LOVANA®
U S A

15930 Downey Avenue | Paramount, CA 90723
T: 562-602-2333 | F: 562-602-2999 | E: dealers@lovanusa.com



Introducing

Lovan Uni-Lift

For flat panel television & monitors

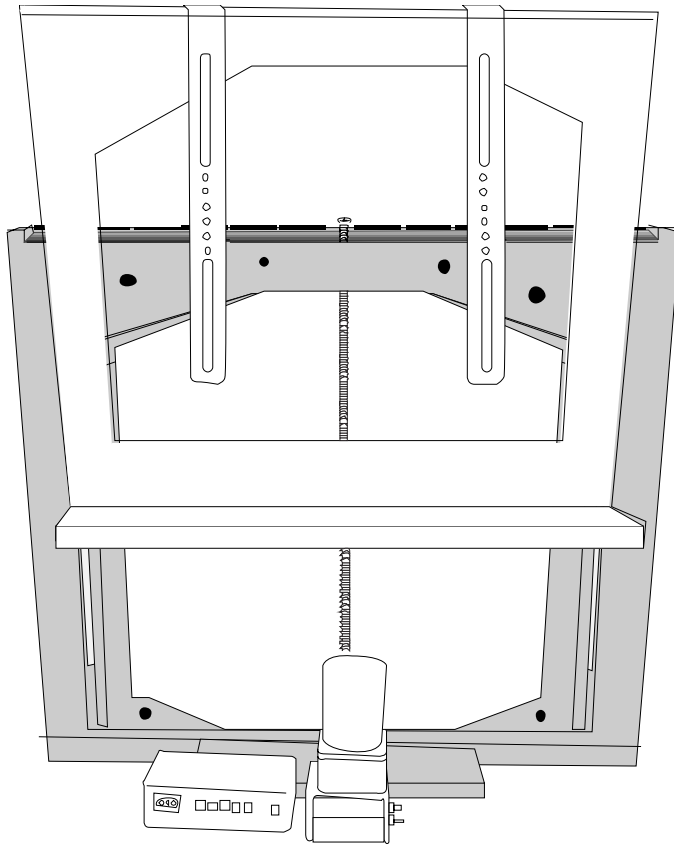
Lovan USA proudly introduces the Lovan Uni (Universal) – Lift designed and built to present the designer/decorator with creative options and to simplify the installation process while giving the final consumer ease of operation.





L O V A N[®]
U S A

15930 Downey Avenue | Paramount, CA 90723
T: 562-602-2333 | F: 562-602-2999 | E: dealers@lovanusa.com



Product Specifications

Lovan Uni-Lift

This product is manufactured out of high strength “polycarbonate” resin and precision mechanical components:

- » It consists of two molded monolithic “polycarbonate” resin frames.
- » Versatile “Polycarbonate” resin base allows for front and back mounting.
- » 2 high strength hangers designed for 1 person to easily affix the flat panel.
- » A precision “lead screw” and a powerful motor provide the lift action.
- » RF controls with: “up” “down” “stop” and “off” signals.
- » Easily installed with as few as eight (8) screws.
- » No restriction on the width of flat panels
- » Built for space saving and for use with more than one size flat panel.

Delivered fully assembled and ready for installation:

- » Cabinets of personal and/or selective designs
- » Built-in wall enclosures of houses, offices or institutions
- » “Foot of the bed” entertainment chest
- » And/or numerous other creative applications

Dimensions:

- » Height = 30” | Width = 36” | Depth = 10 3/8”
- » Accommodates most 42” flat panels and below
- » Has a “rise” of 26 inches
- » Maximum Weight Capacity = 150 lbs.
- » Total Shipping Weight = 51 lbs.

MSRP: \$1,899.99