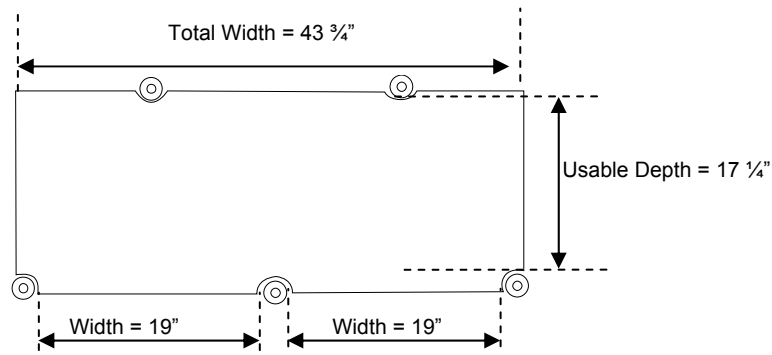




# Lovan Classic II Pyramid AVR

## DIMENSIONS:

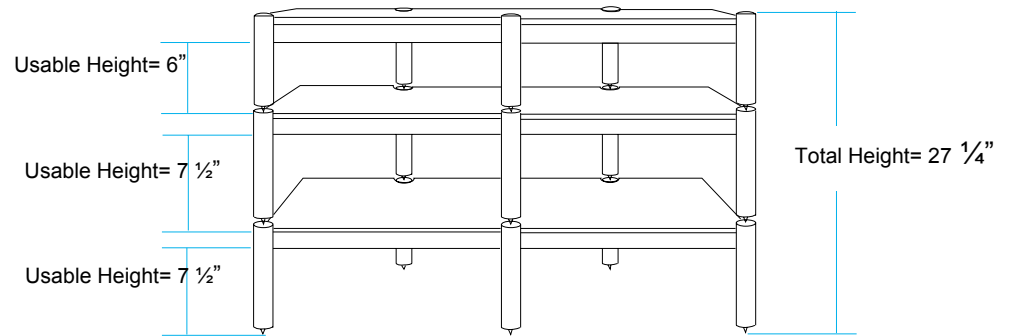


Model # Shown: TOP VIEW



\*NOTE: CAPS CAN BE REPLACED WITH DIFFERENT COLOR (SEE ACCESSORIES FOR PRICING)

\*\* 1.5" Diameter Posts



Model # Shown: L-PY3BB-AV44

## Classic II AVR

Picture Shown: 1 x 7" (posts) & 2 x 9" (posts)

Weight Capacity: 250 lbs/shelf

Post Diameter: 1 <sup>1</sup>/<sub>2</sub>"

Spikes: <sup>3</sup>/<sub>4</sub>" additional height